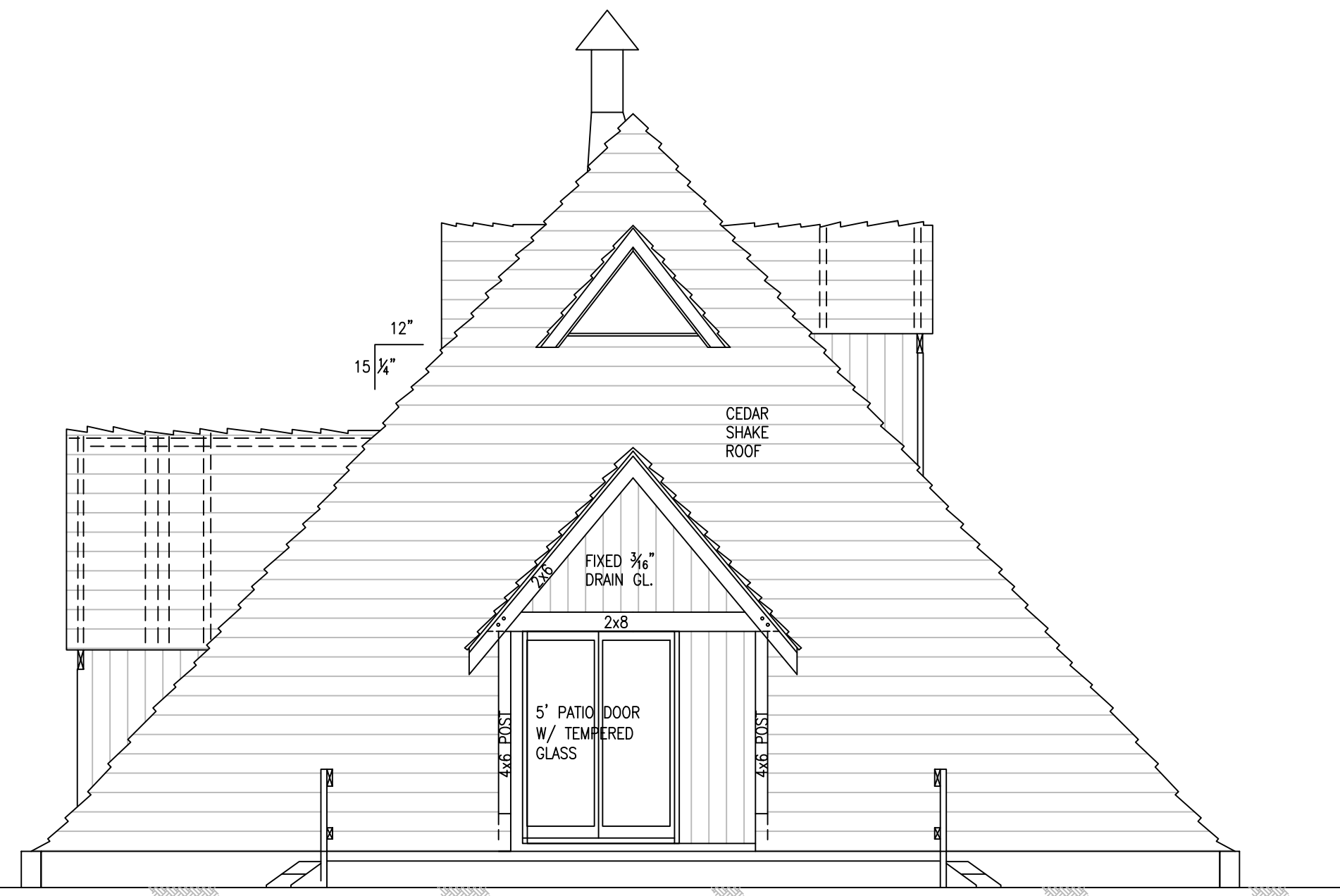
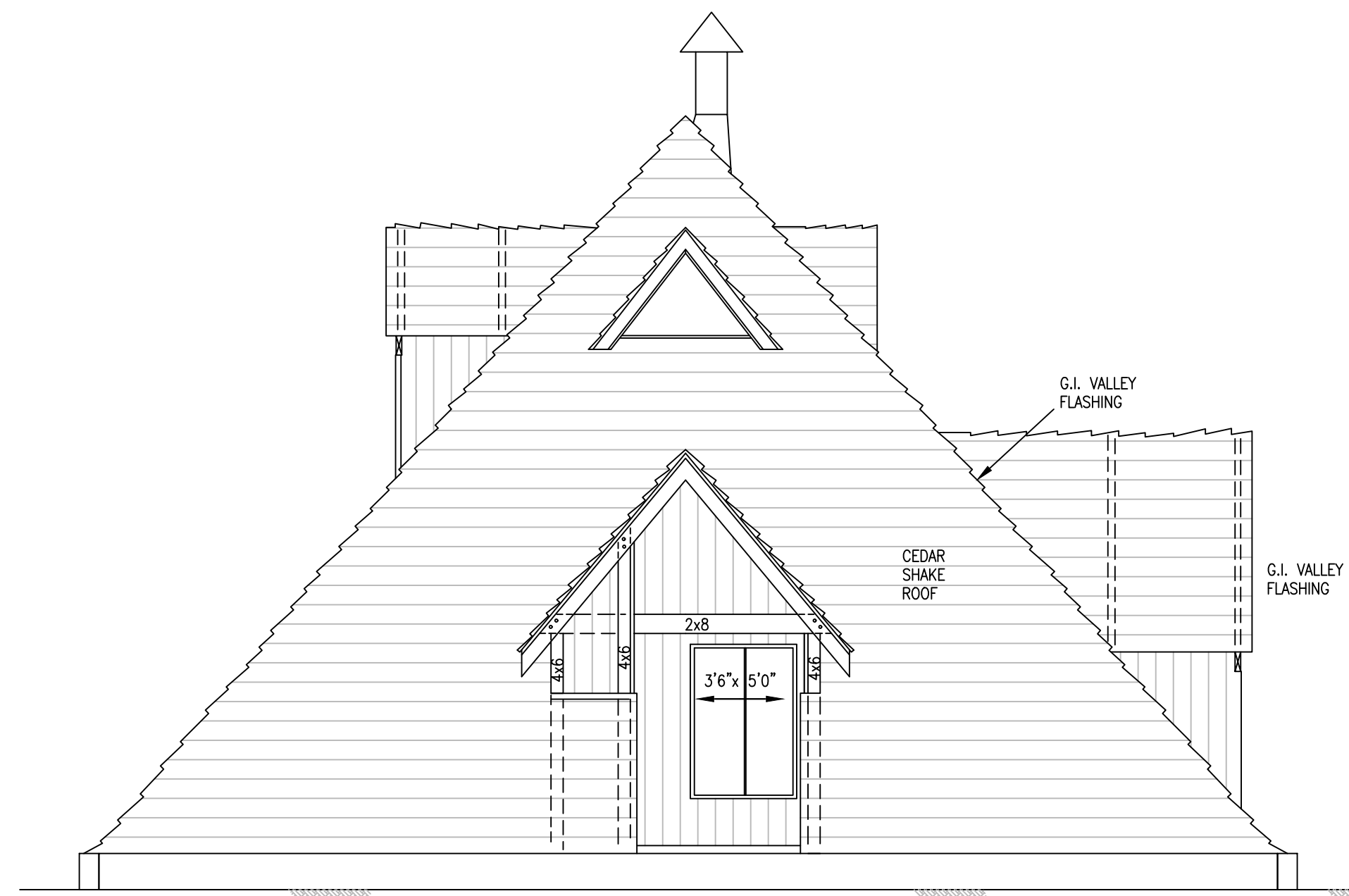


3 SECTION THRU C @ FRONT DOOR
2 SCALE: 1/4"=1'-0"



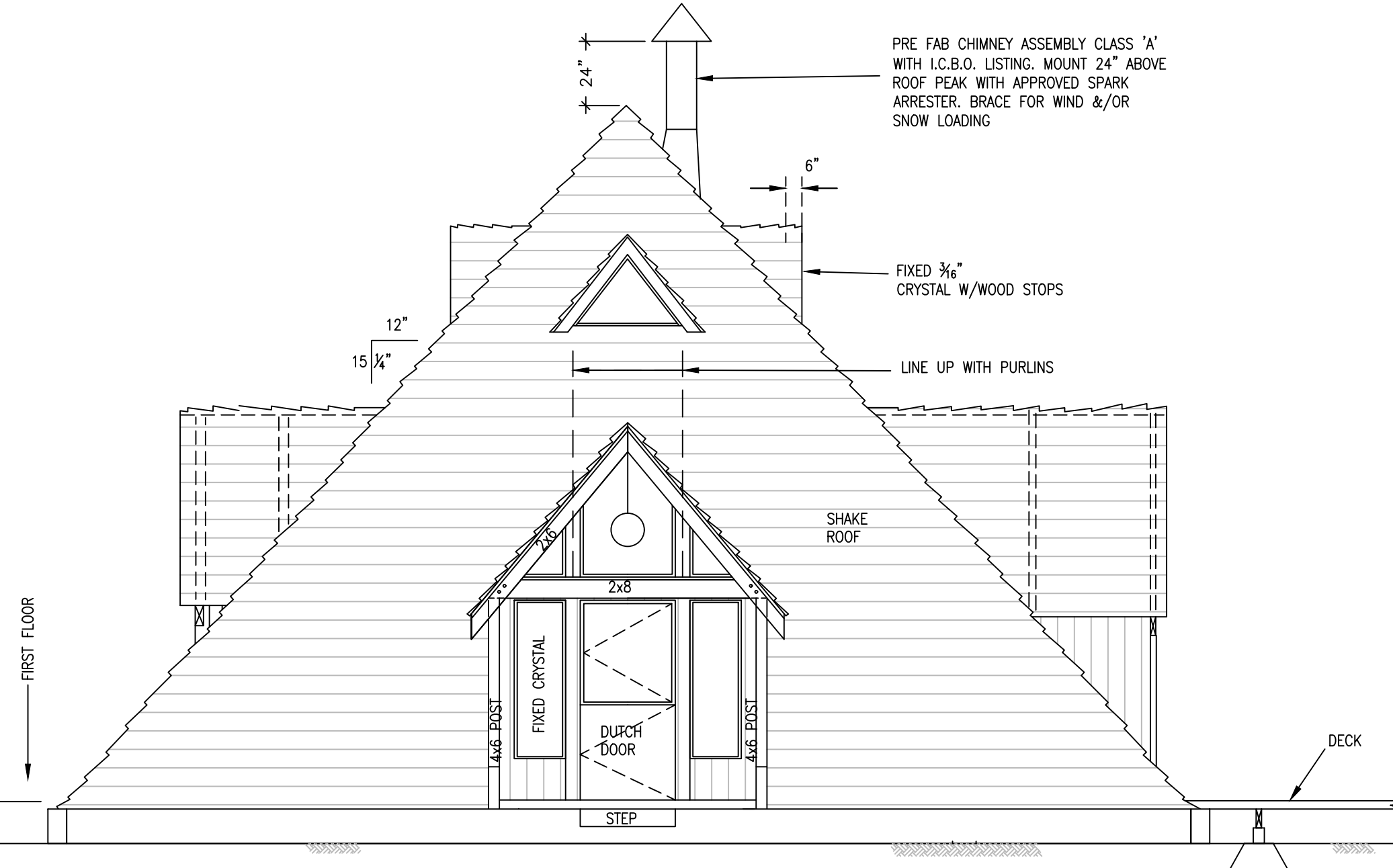
4 RIGHT SIDE ELEVATION
2 SCALE: 1/4"=1'-0"



5 LEFT SIDE ELEVATION
2 SCALE: 1/4"=1'-0"



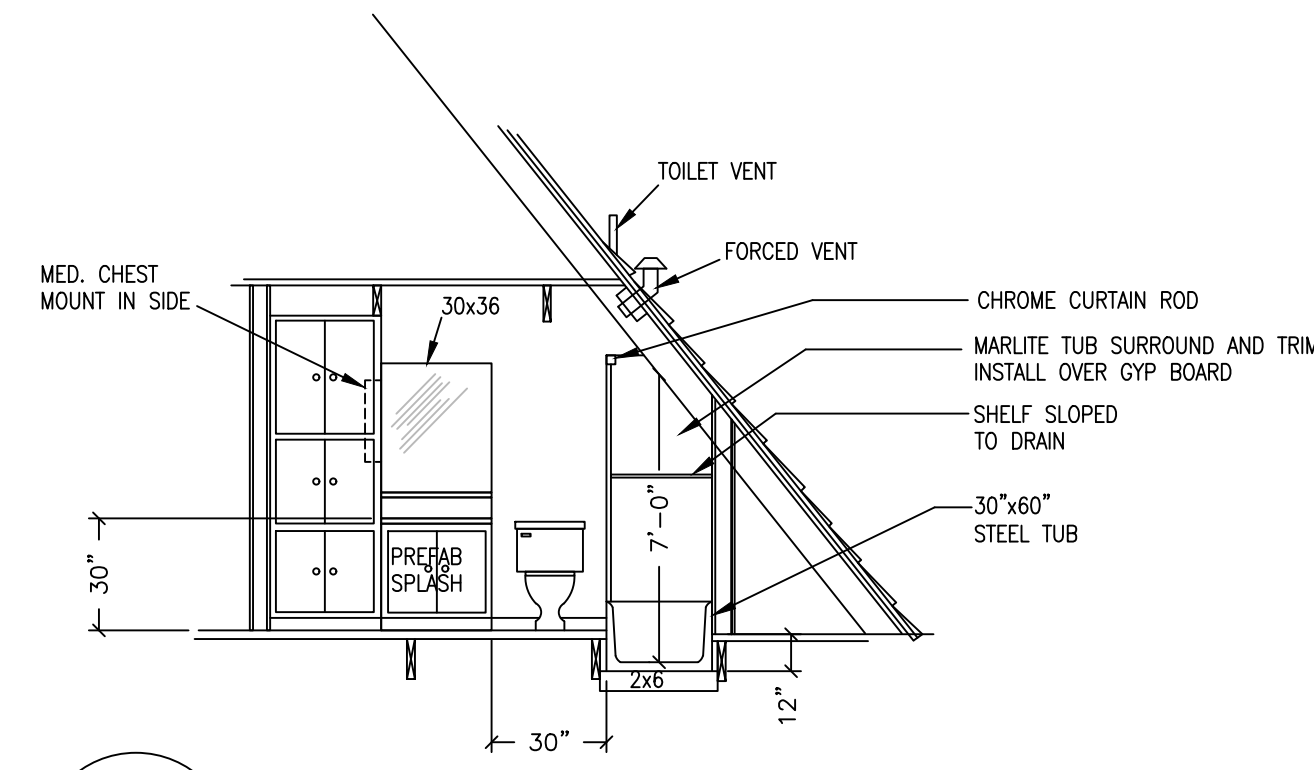
6 REAR ELEVATION
2 SCALE: 1/4"=1'-0"



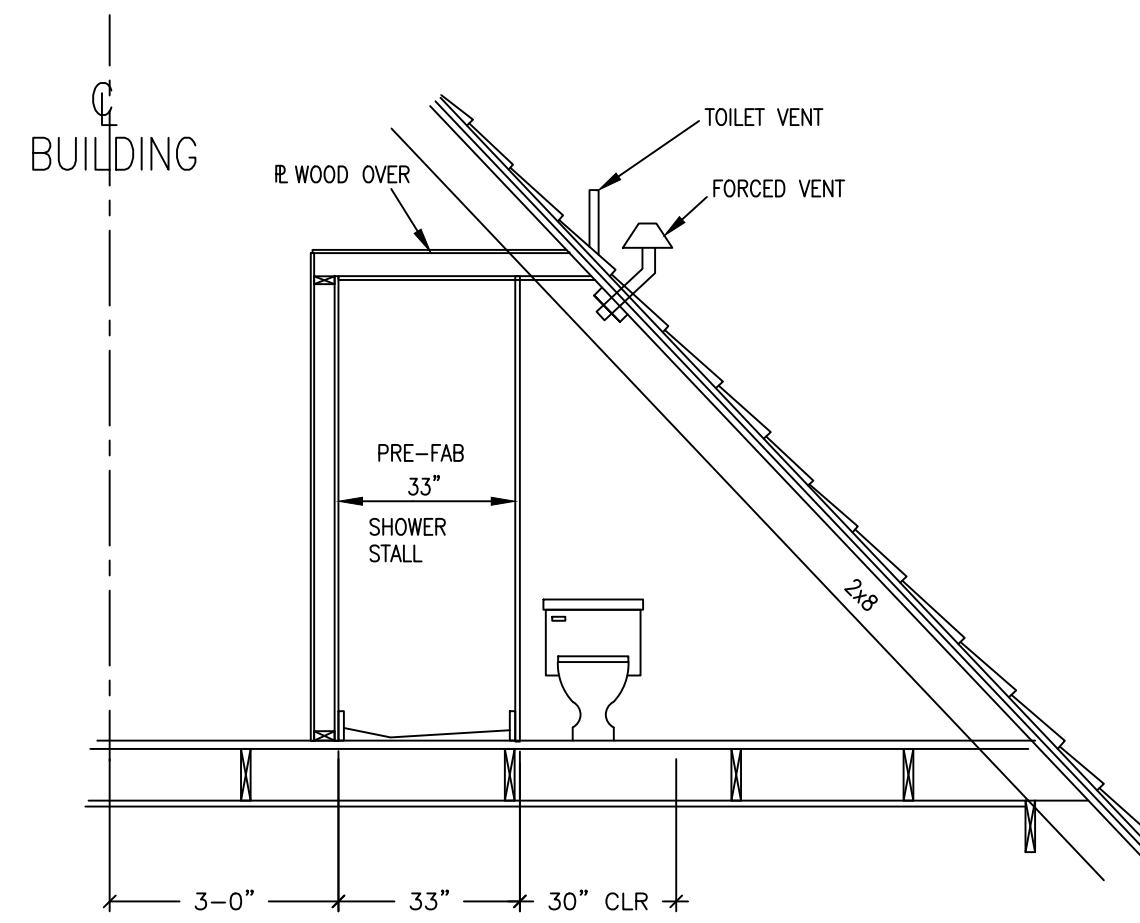
7 FRONT ELEVATION
2 SCALE: 1/4"=1'-0"

JOHN C. RABY P.E. & ASSOCIATES
13306 W Wigwam Rd.
Spokane WA, 99224
509-844-2668

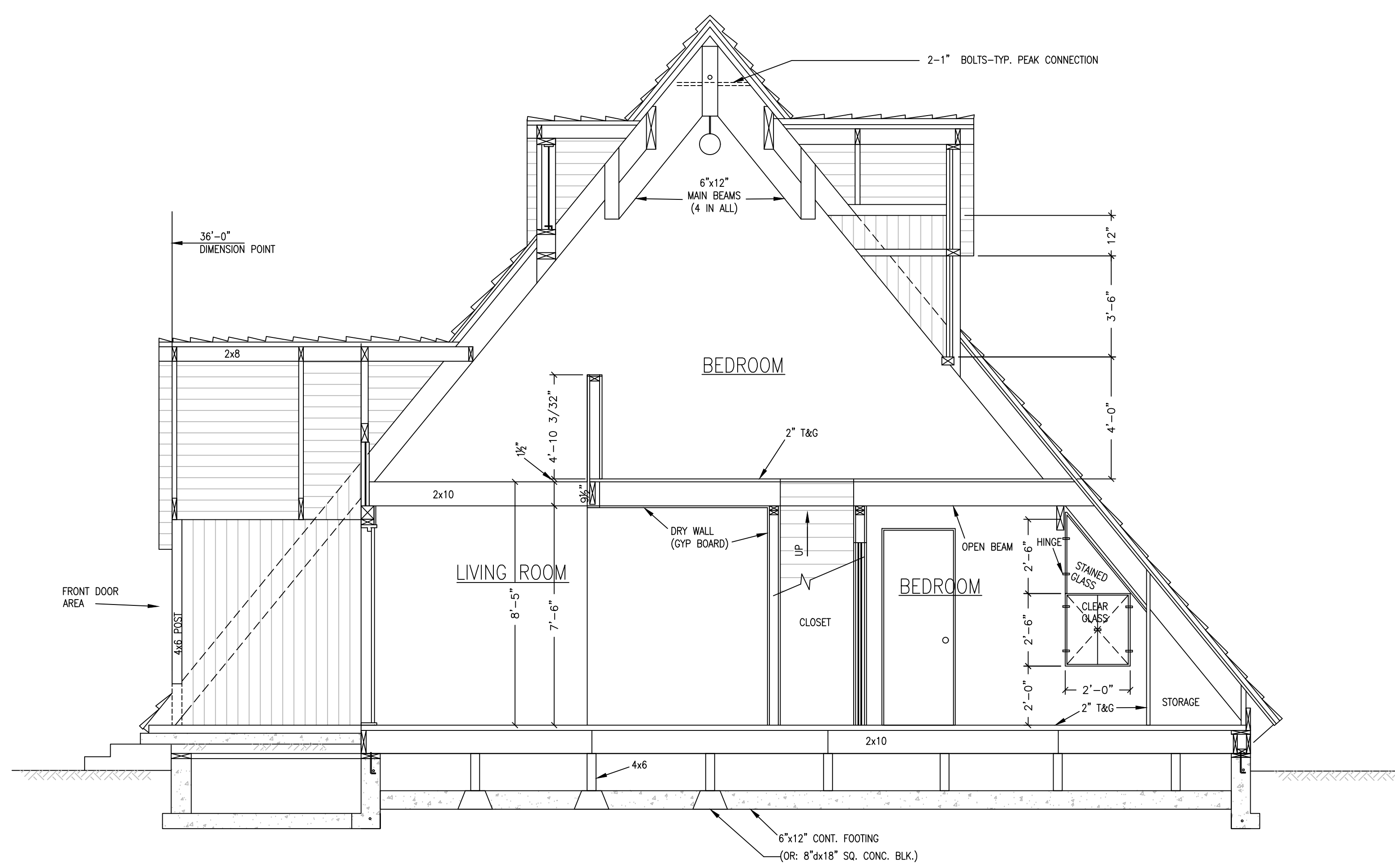
DRAWN BY
VER
CHECKED BY
JCR
DATE
JOB NO.
SHEET



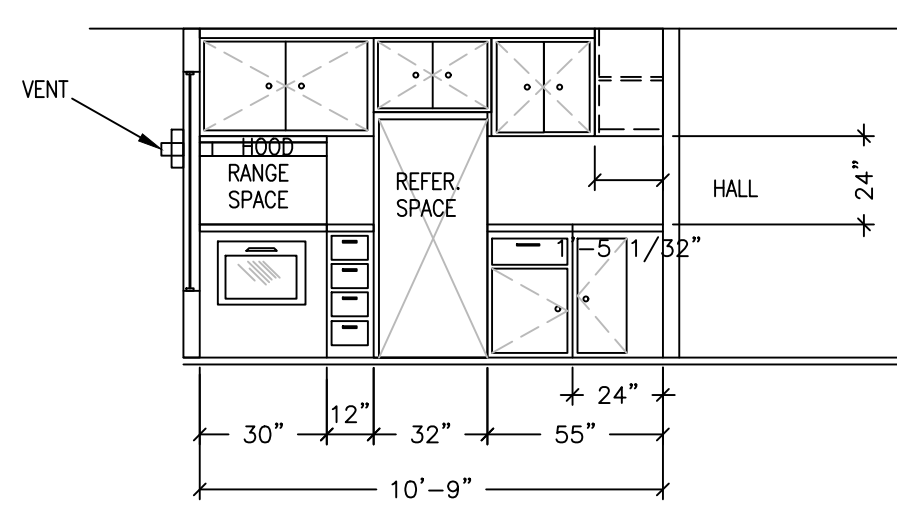
8 BATHROOM INTERIOR
3 SCALE: 1/4"=1'-0"
 (GROUND FLOOR)



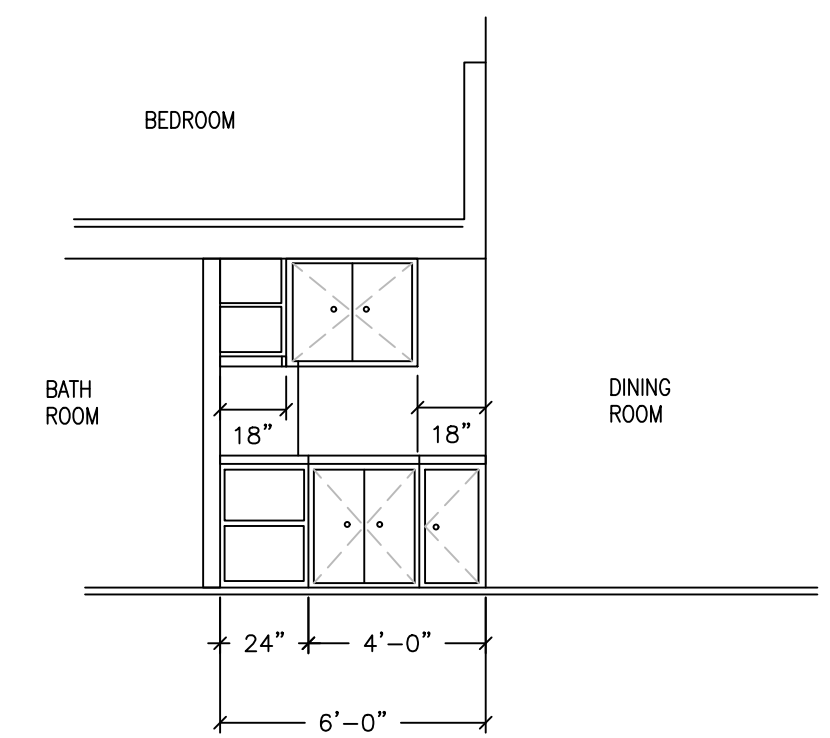
9 BATHROOM INTERIOR
3 SCALE: 3/8"=1'-0"
 (2nd FLOOR)



12 TYPICAL CROSS SECTION
3 SCALE: 3/8"=1'-0"



10 KITCHEN INTERIOR
 (LOOKING SOUTH)
3 SCALE: 1/4"=1'-0"



11 KITCHEN INTERIOR
 (LOOKING WEST)
3 SCALE: 1/4"=1'-0"

JOHN C. RABY P.E. & ASSOCIATES
 13306 W Wigwam Rd.
 Spokane WA, 99224
 509-844-2668

DRAWN BY	VER
CHECKED BY	JCR
DATE	
JOB NO.	
SHEET	

